

2MP ColorHunter HD Fixed Mini Bullet Analog Camera

HAC-B322-F28(40)M-W



Overview

HAC-B322-F28(40)M

W is a 2MP ColorHunter HD fixed mini bullet analog camera with a high-performance 1/2.9-inch CMOS sensor. It supports TVI/AHD/CVI/CVBS, which effectively enhances product adaptability and diversity of networking solutions. With SYV-75-3 or other coaxial cable types, the camera can achieve low-cost, long-distance, and anti-interference mega-pixel HD video transmission without time delay. It supports audio input, synchronous transmission of audio and video, and provides 24/7 color images.

Features

- 2MP high quality imaging
- TVI/AHD/CVI/CVBS
- Supports white light illumination, 24/7 color images
- Supports 180° horizontal flip, 180° vertical flip

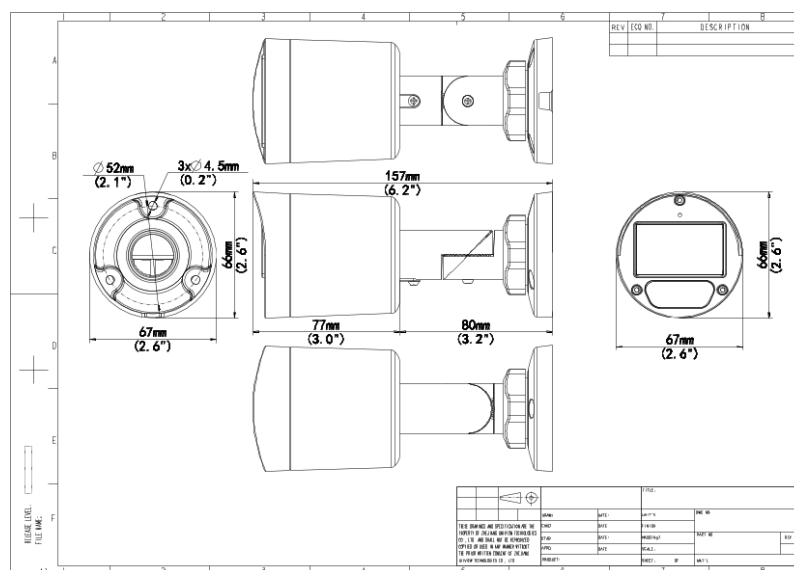
- OSD configuration menu, easy to operate
- IP67 waterproof and dustproof design, high reliability
- OSD configuration menu in 11 languages
- Built-in microphone for high quality audio transmission via coaxial cables
- Supports digital defog
- Metal front face and housing

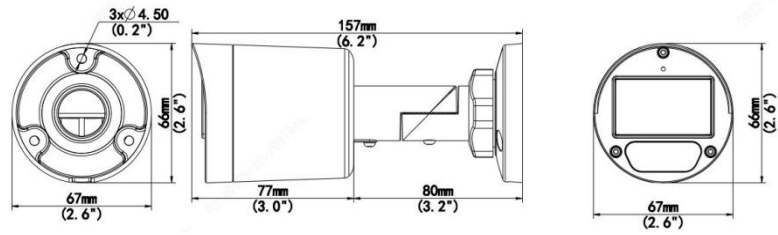
Specifications

Sensor	Description
Pixel	2MP
Sensor Size	1/2.9"
Min. Illumination	0.005 lux (F1.6, AGC ON) 0 lux (white light on)
Lens	Description
Focus	HAC-B322-AF28M-W:2.8mm HAC-B322-AF40M-W:4.0mm
Lens Mount	M12
Angle of View (H)	HAC-B322-AF28M-W:101.5° HAC-B322-AF40M-W:83.8°
Angle of View (V)	HAC-B322-AF28M-W:56.9° HAC-B322-AF40M-W:42.7°
Angle of View (D)	HAC-B322-AF28M-W:117.4° HAC-B322-AF40M-W:100.1°
Illuminator	Description
Illuminator Number	Two white-light illuminators
Illumination Distance	40m
Lifetime	≥60000 hours
Video	Description
Resolution	1080P: 1920(H) × 1080(V) 720P: 1280(H) × 720(V)
Frame Rate	TVI/AHD/CVI: 1080P@25fps(default), 1080P@30fps; 720P@25fps, 720P@30fps CVBS: PAL, NTSC
Shutter Time	PAL: 1/25s-1/50000s, NTSC: 1/30s-1/50000s
Image	Description
Exposure Mode	Four modes: Global(default), BLC, HLC, DWDR
Day/Night	24/7 color images
Digital Noise Reduction	2D/3D
White Balance	Two modes: Auto (default), Manual

WDR	DWDR
Flip	Supports 180° horizontal flip, 180° vertical flip
Digital Defog	Support
Audio	Description
Built-in Mic	Support
Camera Audio	TVI: 1080P@25fps, 1080P@30fps CVI: 1080P@25fps, 1080P@30fps
Interface	Description
Power Interface	5.5mm Power Interface
Video Output	BNC, supports TVI/AHD/CVI/CVBS
Operating Environment	Description
Temperature	-30 °C ~ 60 °C (-22 ° F ~ 140 ° F)
Humidity	≤95% RH (non-condensing)
Surge Protection	4kV for power; 4kV for video output interfaces
Ingress Protection	IP67
General	Description
Power	DC12V ±25%
Power Consumption	MAX 3.12W
Mount	Corner Mount; Pole Mount
Dimensions	157mm*67mm*66mm (L*W*H)
Material	Metal
Weight	279g(0.62lb)

Dimensions



**Zhejiang Uniview Technologies Co., Ltd.**

No. 369, Xietong Road, Xixing Sub-district, Binjiang District, Hangzhou City, 310051, Zhejiang Province, China

Email: overseasbusiness@uniview.com; globalsupport@uniview.com

<http://www.uniview.com>

©2023-2024 Zhejiang Uniview Technologies Co., Ltd. All rights reserved.

*Product specifications and availability are subject to change without notice.

*Despite our best efforts, technical or typographical errors may exist in this document. Uniview cannot be held responsible for any such errors and reserves the right to change the contents of this document without prior notice.